

Art. **96067**

Modelli / Model:

**Mercedes Actros MP2, 04/03>12/08**

**Mercedes Actros MP3, 06/08>12/13**



Made in Europe

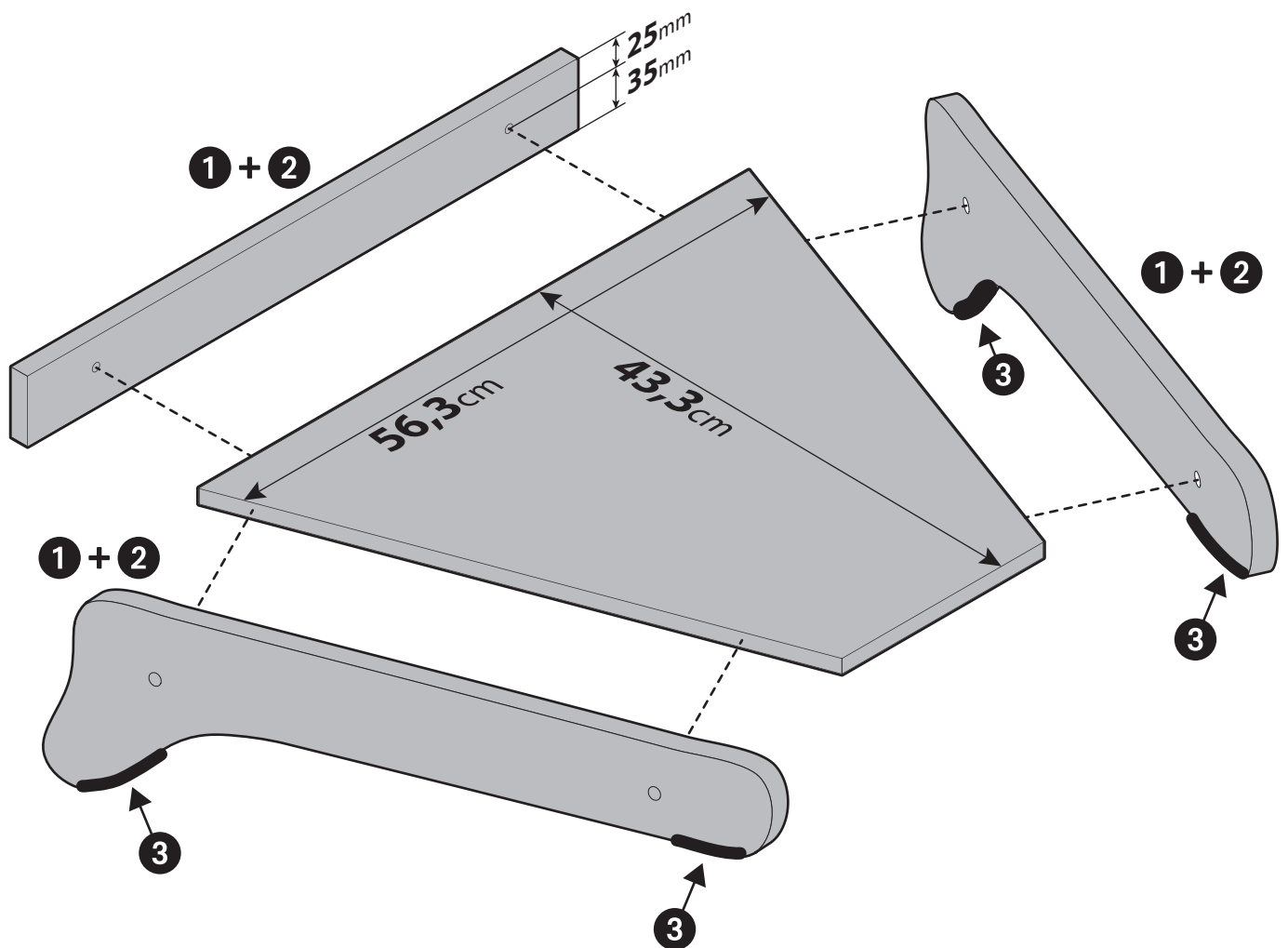
**LAMPA S.p.A.**

Via G. Rossa 53/55, 46019 Viadana (MN) ITALY


Tel. +39 0375 820700

UNI EN ISO 9001:2015 Certified Company

**www.lampa.it**



Contenuto / Mounting kit contains:

<b>1</b>		x6	∅ 8mm - Viti / Screws
<b>2</b>		x6	Coperchi per viti / Screw covers
<b>3</b>		x4	Velcro / Velcro strips
		x1	Brugola / Allen key

