

Art. **96054**

Modelli / Model:

**Iveco Stralis, 08/02>12/12**

**Iveco Stralis, 09/16>**

**Iveco Stralis Hi-Way, 07/12>08/16**

**Iveco Stralis XP, 09/16>**

**CABINA LARGA / LARGE CABIN**

**LAMPA**<sup>®</sup>  
www.lampa.it

Made in Europe

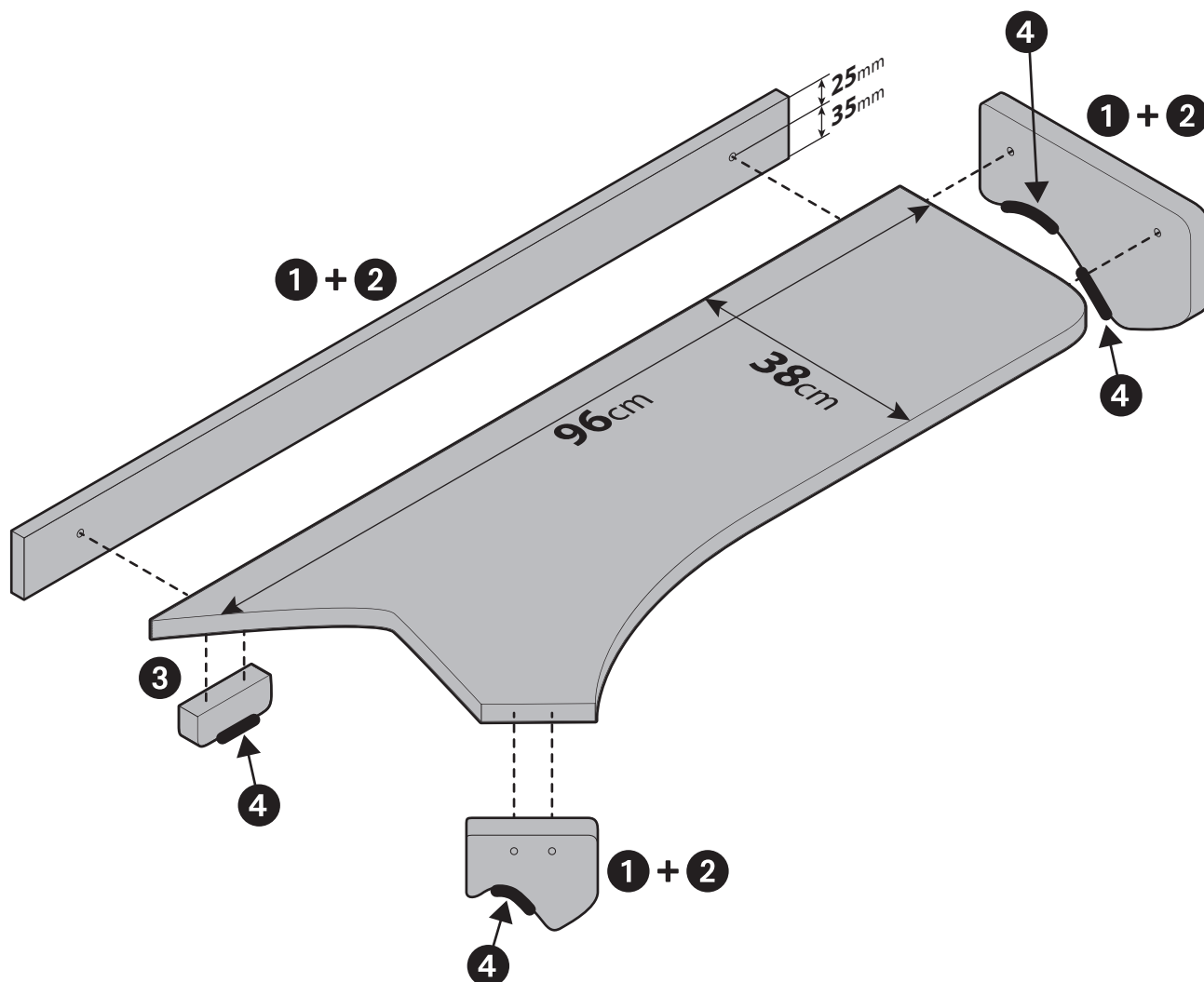
**LAMPA S.p.A.**

Via G. Rossa 53/55, 46019 Viadana (MN) ITALY

Tel. +39 0375 820700

UNI EN ISO 9001:2015 Certified Company

www.lampa.it



Contenuto / Mounting kit contains:

<b>1</b>		x6	∅ 6mm - Viti / Screws
<b>2</b>		x6	Coperchi per viti / Screw covers
<b>3</b>		x2	∅ 6mm - Tasselli in legno / Wooden dowel
<b>4</b>		x4	Velcro / Velcro strips
		x1	Brugola / Allen key

